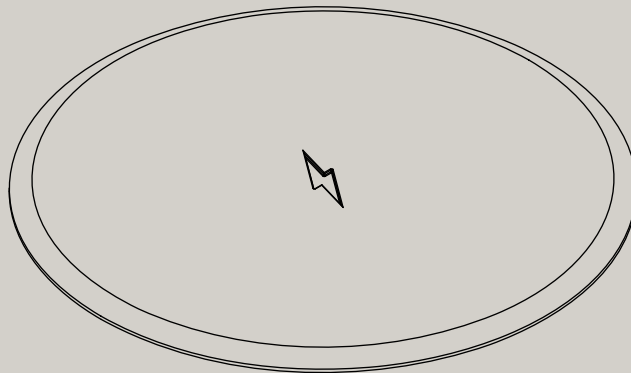
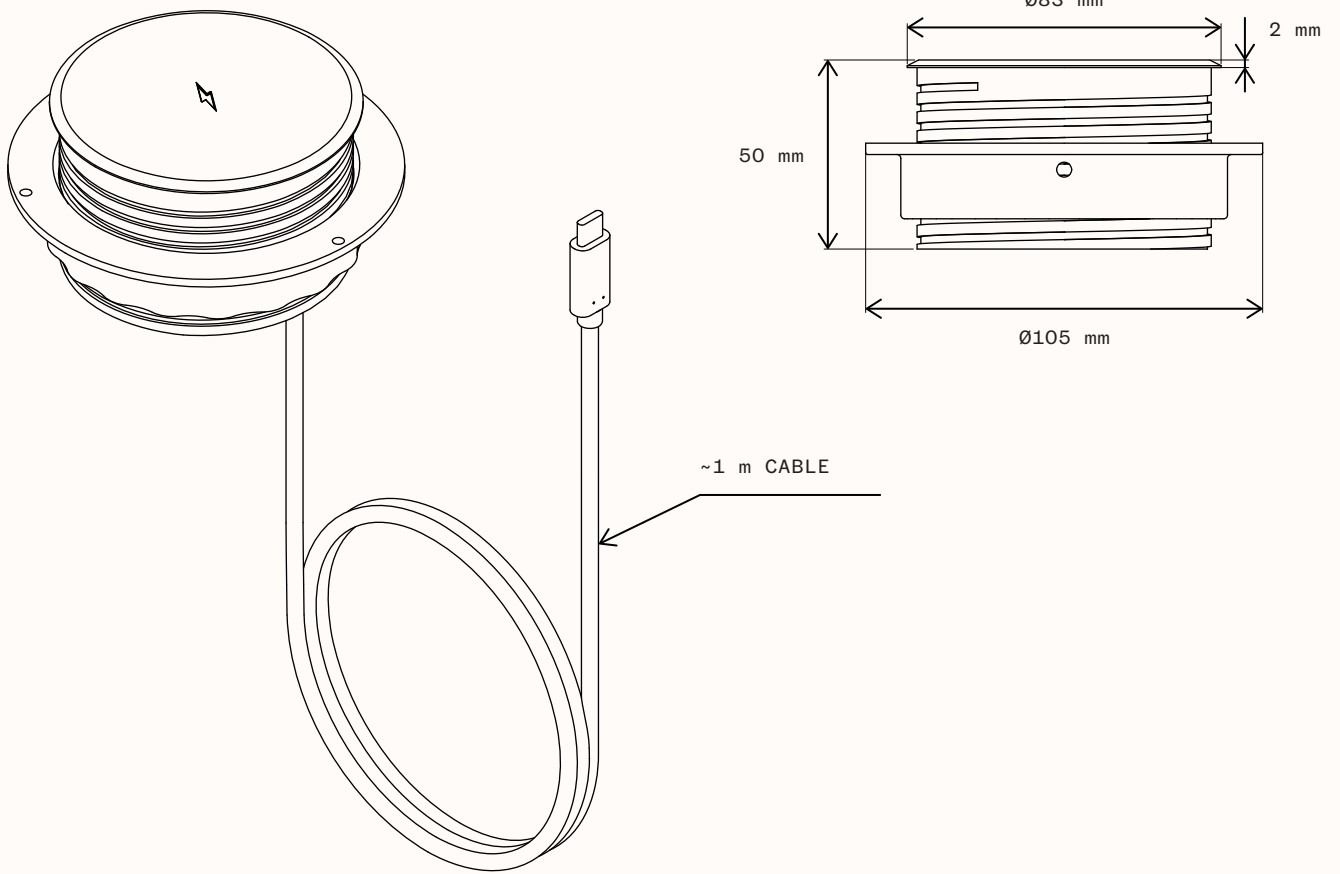


# POWERDOT CHARGE<sup>01</sup>

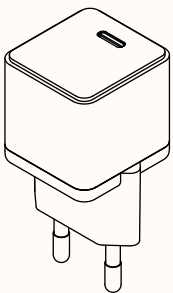


# Dimensions

See user manual for assembly instructions



CHARGER WITH EURO PLUG INCLUDED



# POWERDOT CHARGE 01

WIRELESS CHARGER 15W, BLACK/WHITE

**ART. NO**

9308900109      BLACK  
9308900101      WHITE

## Technical data

---

INTERFACE	WIRELESS CHARGER
.....	.....
OUTPUT WIRELESS CHARGER	15 W
.....	.....
RATED VOLTAGE ADAPTER	250V
.....	.....
RATED CURRENT ADAPTER	16A
.....	.....
OUTPUT ADAPTER	20 W
.....	.....
CABLE & CONNECTOR	~1 m USB-C CABLE, EURO PLUG ADAPTER INCLUDED
.....	.....
MATERIAL	POLYAMIDE
.....	.....
FINISH	MATTE
.....	.....
PROTECTION CLASS	IP20
.....	.....
INSTALLATION HOLE SIZE	Ø79mm
.....	.....
HEIGHT	50mm
.....	.....
DIAMETER TOP	Ø83mm
.....	.....
MAX TABLE THICKNESS	30mm
.....	.....
CERTIFICATIONS	CE, UKCA, RoHS COMPLIANT, CB TESTED
.....	.....

# Read before installation and usage

---



Do not cover

Electrical products may only be daisy-chained if integrated into a fixed installation. Normal power sockets may not be used for the connection to further socket rails.



Incorrect installation may endanger:

- Safety of the installer
  - Safety of the end-user and safety of the property.
- Incorrect installation may result in personal liability for damage of property or injury to persons.



Electronic equipment is recyclable and should not be disposed of with household waste, if the device has reached the end of its life, dispose of at the recycling points in accordance with local regulations. Disposal with household waste is prohibited



The device may only be used in a dry indoor environment.

**For safe installation please ensure the following:**

- The 5 safety rules to apply: Disconnect mains; Prevent reconnection; Test for absence of harmful voltages; Ground and short circuits; Cover or close off nearby live parts;
- Choose proper tools, measuring devices and personal protective equipment
- Analyse measured results
- Selection of electrical installation material to ensure switch-off conditions
- IP protection ratings
- Fitting of electrical installation material;
- Type of the feeding system (TN system, IT system, TT system...) and the resulting switching conditions (classic zeroing, protective earthing, necessary additional measures, etc.).

